

TRUST SUPER TUNING SYSTEM AIMING AT REAL

COMPETITIONS.

520 ELECTRONICMETER

TRUST

Greddy

TEMP METER

取扱説明書

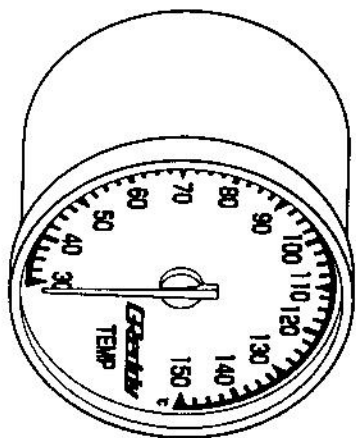
Instruction Manual

TRUST CO., LTD.

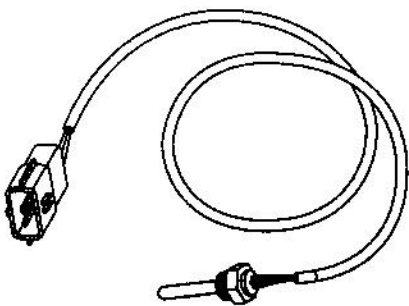
MADE IN JAPAN.

TRUST

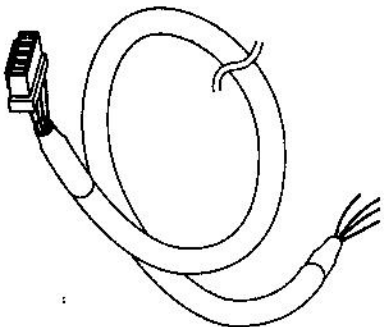
Parts List:



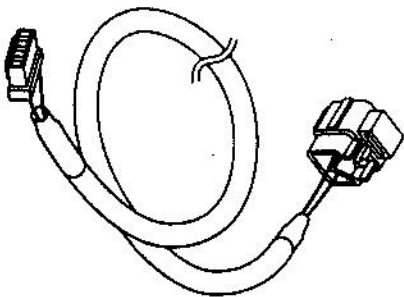
1) Temp. Meter (1pc.)



2) Temperature Sensor (1pc.)

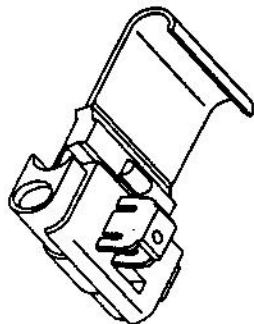


3) Power Harness (1pc.)

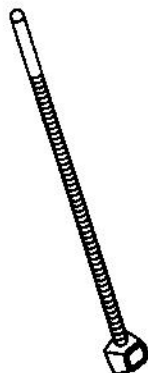


4) Sensor Harness (1pc.)

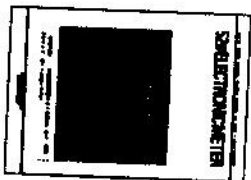
Parts List:



5) Electrical Tap (4pcs.)



6) Wire Ties (4pcs.)



7) Instruction Manual (1pc.)

Installation:

Meter Mounting

Important

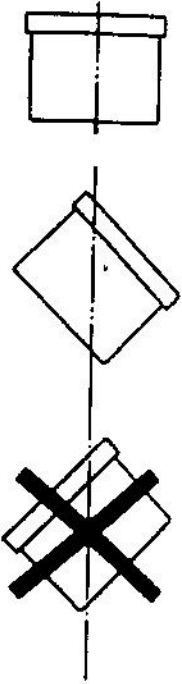
- When looking for a location to mount the meter, be sure not to have the meter interfere with the driver's view of the road or other important instruments.

Note

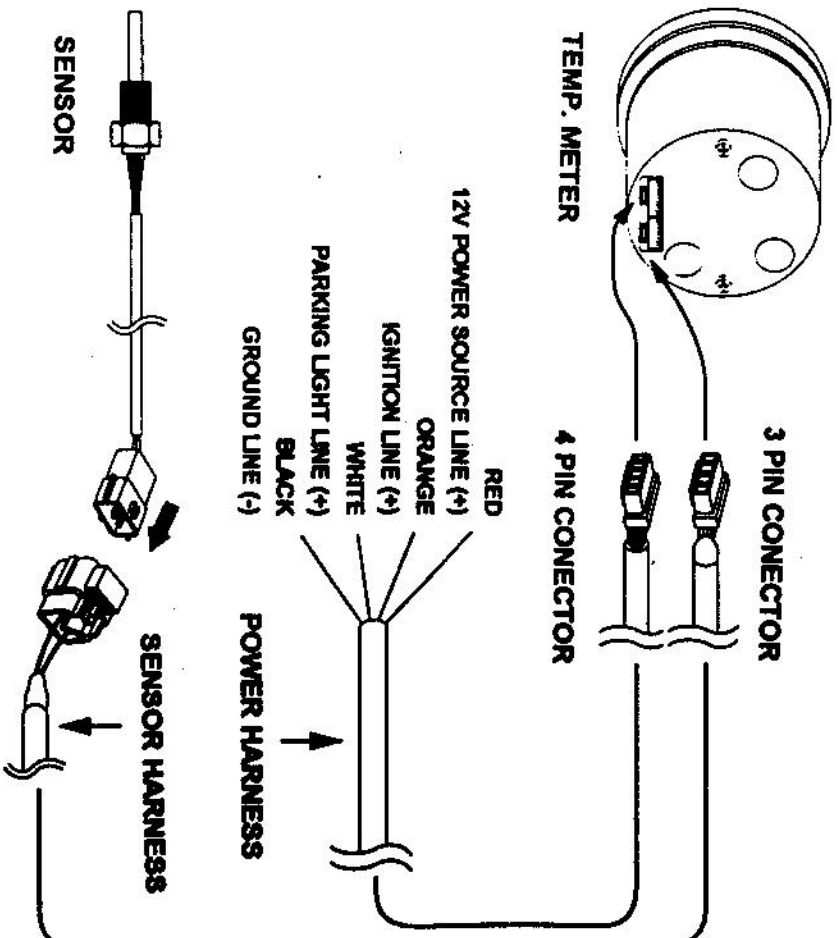
Mounting brackets for these warning meters are available for simple installation.

Caution

Never mount the meter facing downward. Always mount the meter horizontally or facing upward. Mounting the meter facing downward can cause the meter to malfunction.



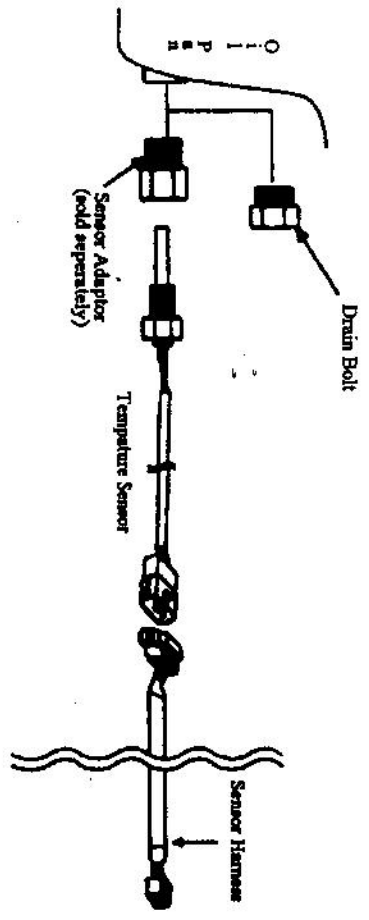
Installation:



Installation:

Option #1 Oil Temp Meter

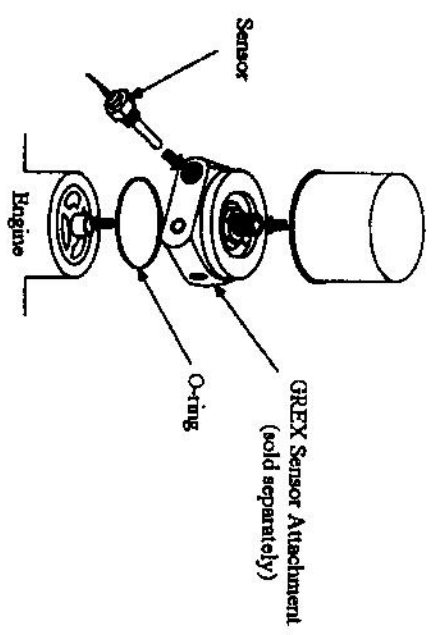
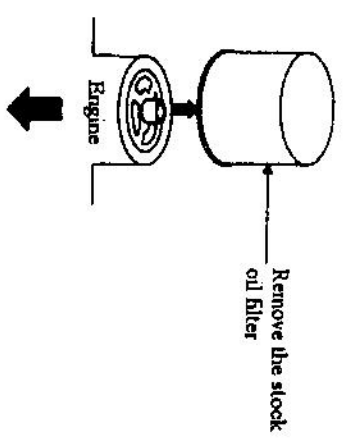
- ⚠ CAUTION
- ⚠ Avoid mounting the sensor harness near any ignition systems.
- ⚠ Make sure you catch the oil with a pan when removing the oil drain bolt.
- ⚠ Make sure the engine is not hot when removing the drain bolt.
- ⚠ Make sure to refill the engine oil after installation of the sensor.



Installation:

Option #2 Oil Temp Meter

Sensor Installation
(Using GREX sensor attachment unit) Sold Separately



Important

If you are using the GREX Oil Cooler Kit, the temperature sensor can be directly installed to the oil block of the oil cooler kit.

Installation:

Option # 3 Water Temp Meter

⚠ CAUTION

- ⚠ Make sure to catch the coolant with a pan, when removing the factory water temperature sensor.
- ⚠ Do not install when the engine is hot. Cool down the engine and remove the radiator cap before installation.
- ⚠ Make sure to use teflon tape on the sensor threads to achieve a proper seal.
- ⚠ Check and restore the water-coolant level after installation.

